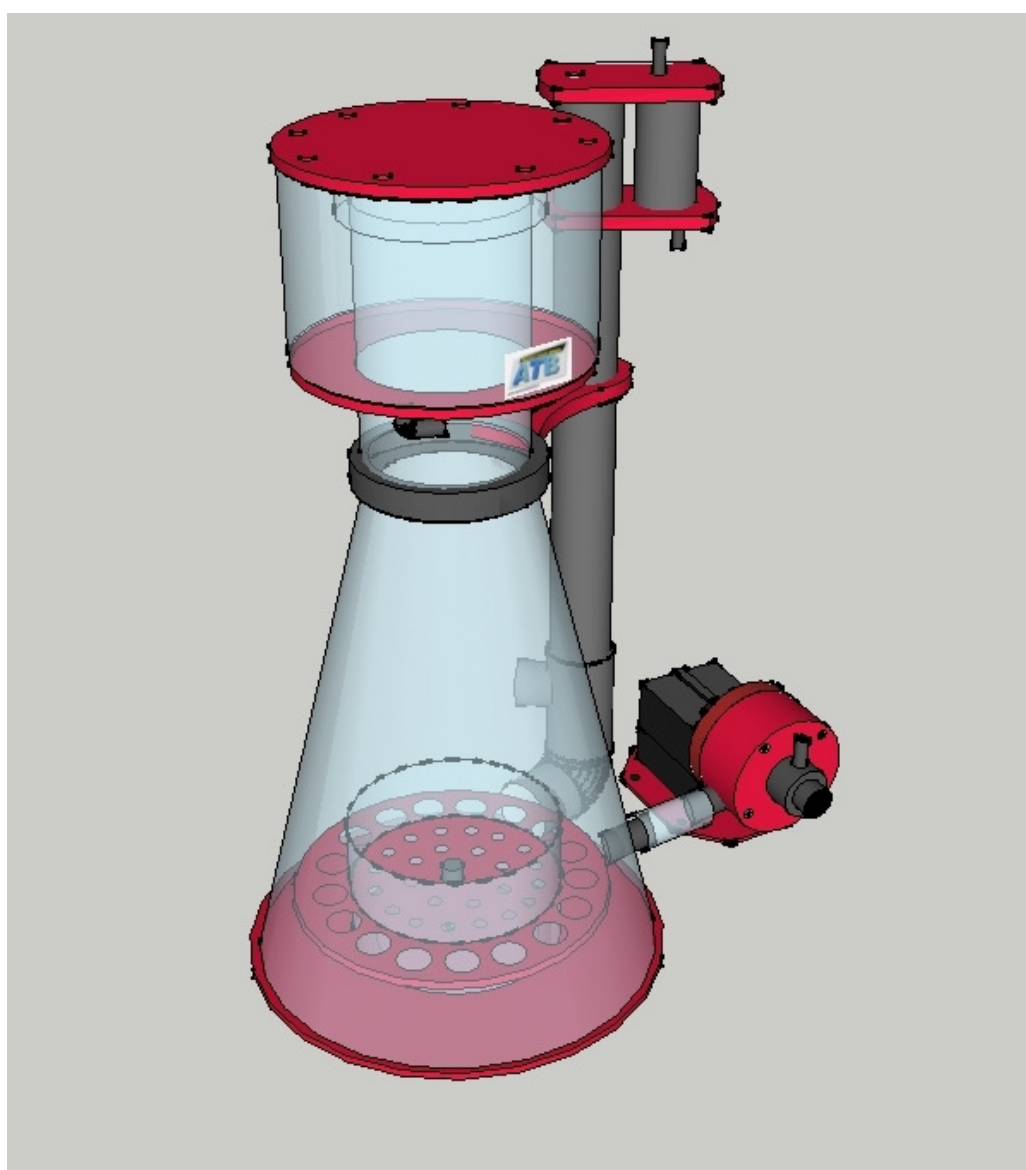

ATB Cone Skimmer Manual

How to install and use the skimmer



Introduction and contents

Thank you for buying a product of **ATB**.

First we would like to thank you for your interest in our products

It was a good decision to take a product of our company ATB.

- We are constantly making improvements on the individual products. We are using high quality material and we are also looking on a perfect function. It is also important to use a modern design.
- All products of ATB Aquariumtechnik are handmade. We are controlling each production step to ensure a high quality product.

Content and notes!:

This manual is including notes for mounting, commissioning and operation of the skimmer. You have to verify all parts for defects before starting. We are taking no liability for following damages. Please contact your dealer or the support of ATB if you have any problems. You need a corresponding qualification or enough experience for mounting, operation and maintenance of this product.

If you do not have enough experience or qualifications then contact your trader for further details. Otherwise important functions of your tank can be failing.

The temperature should never reach the freezing point. You must drain the device if the water temperature is too low. The product may not be used until the normal temperature is available. This product can only be used for the filtration of aquarium plants. If you want to use it for other things, then you must contact our company before you do that.

Content

- The skimmer: page 2
- How to install and use the skimmer: page 3 - 5
- Cleaning process: page 6 - 8

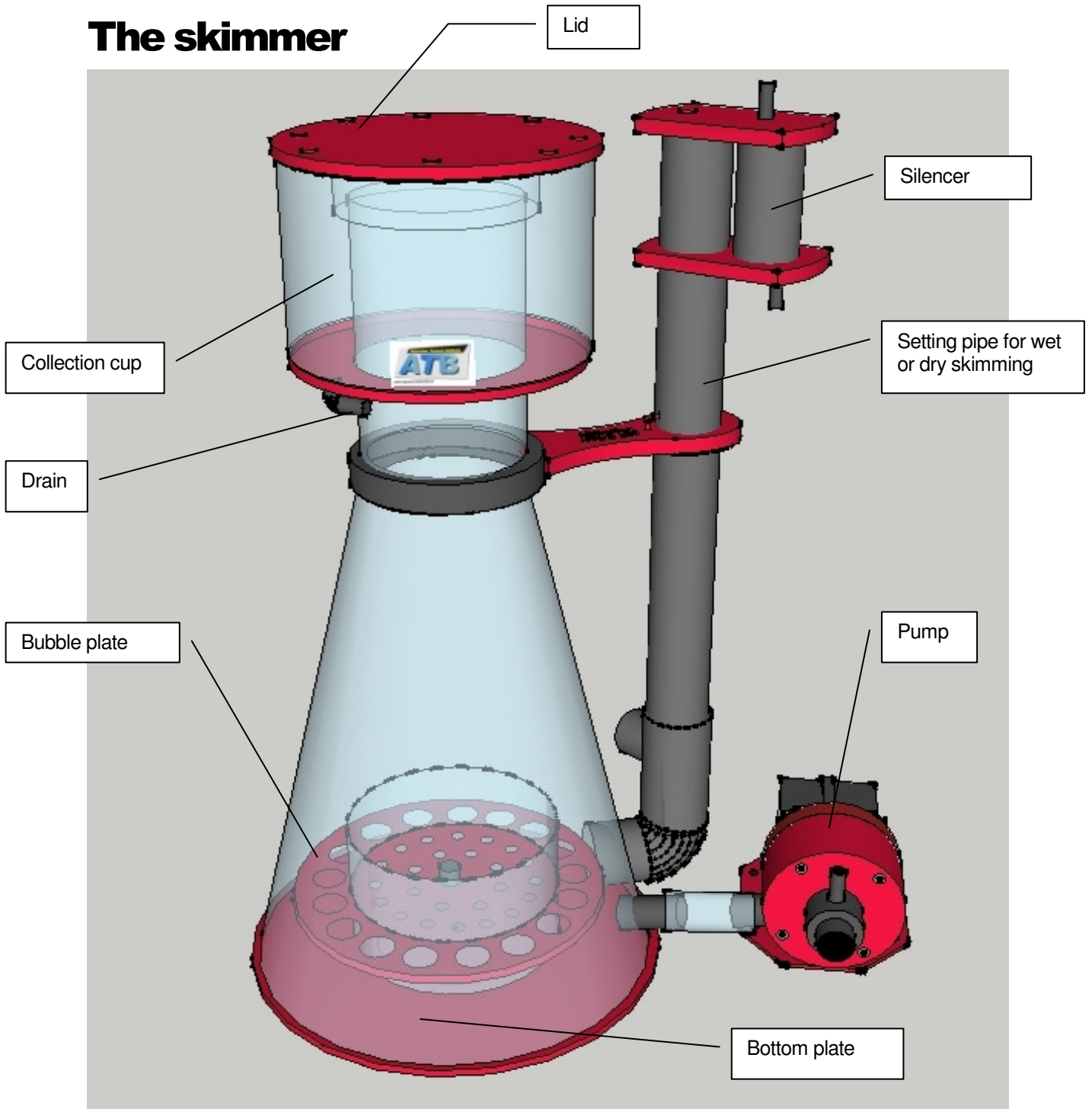
Feel free to contact us if you have any questions. You can use the contact form on our website or this address: office@aquariumtechnik.at

Support

Take a look on our website, if you want to see our newest improvements and new products.

www.aquariumtechnik.at, Our german forum: www.seahorse-reef.com

The skimmer



Installation of the skimmer

This skimmer is only for inside use.

The skimmer can also be running without overflow protection system. The overflow protection system is available as an extra feature.

Place the skimmer

The sump:

- **Waterlevel:** For the waterlevel is a sticker visible on the position of the outlet. But the most important thing is, that the pump is always under water.
- **Height:** You should have 1,5 cm place over the top from the cup. That is important to pick up the pot.

Installation of the skimmer

How to make the skimmer ready for internal use?

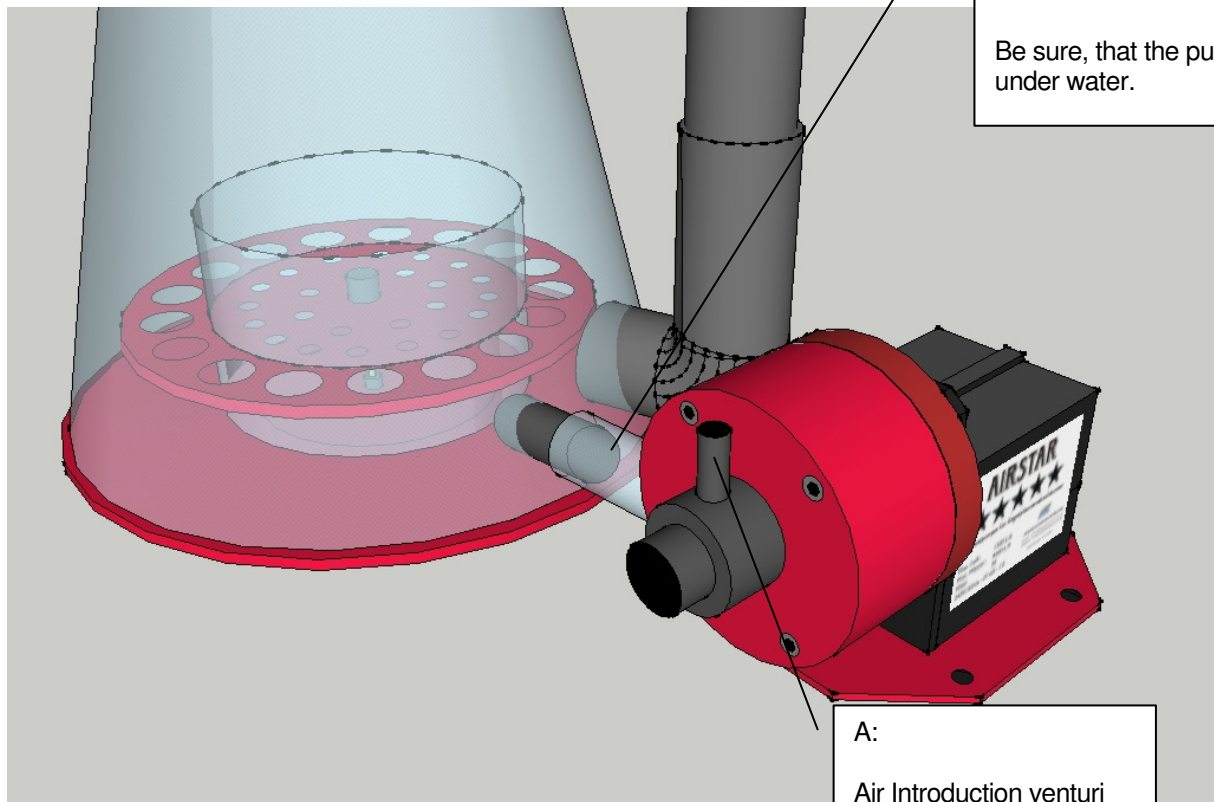
Connecting the parts

The skimmer can be used after you have made the following points.

- **Connect the skimmer body with the pump.**
- **Look at the waterlevel. The pump must be under water.**
- **Now put the first end of the airhose on point A.**

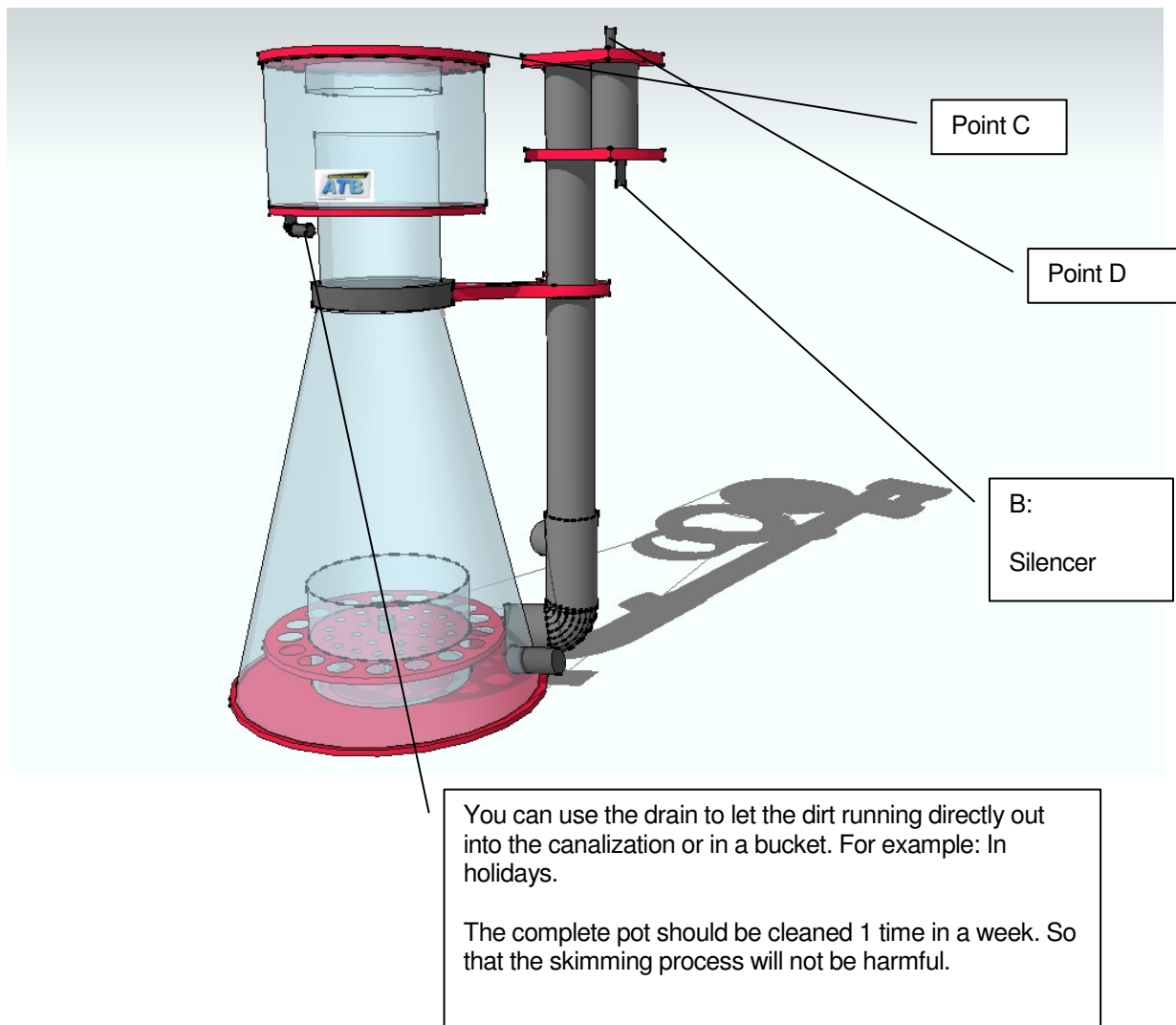
Connect the short silicon tube with the pump. 25 mm or 32 mm. Depending on the kind of skimmer.

Be sure, that the pump is under water.



Connecting the parts

- Connect the other end of the airhose now with Point B.
- Connect the smell absorption hose from Point C to Point D if this feature is available.
- **Note:** You do not need the smell absorption for the function of the skimmer.
- **Stopper:** If you are using the smell absorption feature, then you must pull out the little stopper on the bottom side of the silencer from time to time. There is a little bit water in it. It will be collected from the wet air of the pot in the silencer. Let the water out and push the stopper back into the hole.



How does the skimmer work?

General instructions

The pump has a needlewheel.

The job of the pump is to produce a water-air mix.

The pump is pulling the air through the venture.

The water-air mixture will be produced by the needlewheel.

It is pressed into the skimmer. The protein can be formed around the bubbles. The skimming process is running.

The dirt is collected in the pot. It should be cleaned at least once per week. Depends on the dirt in the pot.

Overflow protection system: (Available as an extra feature)

For the overflow protection system you will need a timer.

This timer will be connected with the swimmer on the lid of the collection cup.

The skimmer pump is plugged in on the timer and the timer on the power-grid.

If the skimmer is overflowing then the pump shuts of automatically.

Cleaning process

Cleaning the pot

Important things:

Step by step ...

- **First plug off the pump from the power supply system.**
- **Then you can take off and clean the pot.**
- **After cleaning you can put the pot back and check whether it sits well.**
- **You can connect the pump to the electricity.**
- **The skimmer is ready again.**

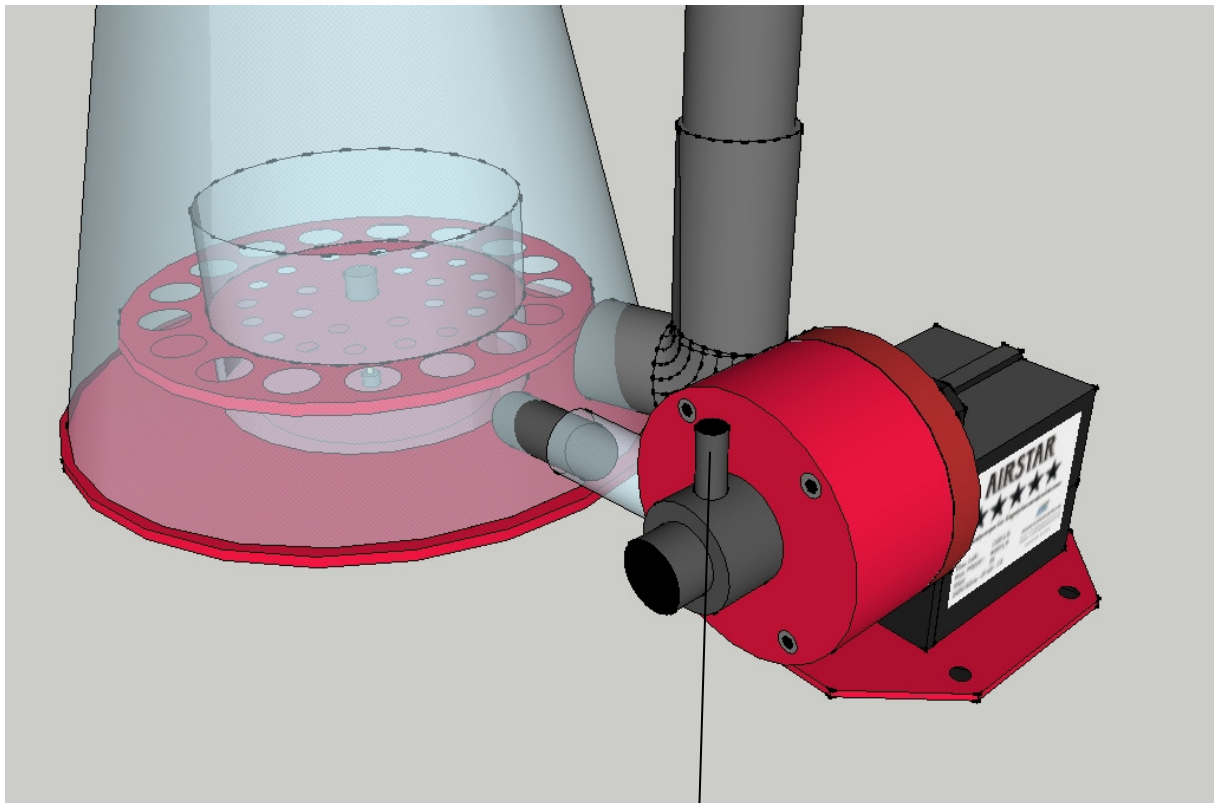
Complete cleaning process of the skimmer

How does it work?

The skimmer is completely detachable if you want to clean the complete skimmer and the pump.

- **Plug off the pump from the power supply system.**
- **Then you can take off the pot.**
- **And you can also take off the pump.**
- **Now the pump is ready for cleaning.**
- **To clean the complete body you must screw off the screws from the bottom of the skimmer.**
- **The assembly is done backwards.**

Cleaning process



From time to time you should clean the air inlet.

Sometimes there is salt in it.

Use a small driller to clean it. 3 mm.

For cleaning

